

Trimble Paving Control Systems

PCS400 2D for Pavers



System Spec Sheet

PCS400 2D Paving Control System – Key Advantages

- Large easy to learn and operate, text and icon based, 2D paving display
- Split screen option allows one operator to monitor and control both sides of the screed from one display
- Uses the most accurate sensors in the industry
- Upgradeable to Trimble® PCS900, the best 3D system in the business
- Common supplier for sales and support for both 2D and 3D systems
- Appropriate for surface matching, delivering a smooth final surface and reducing the amount of asphalt used to meet the required depth

Trimble PCS400 2D Paving Control System for Pavers

2D Configurations	Applications
Trimble PCS400 Paving Control System with Single/Dual* CB440 Control Box and Dual Sonic Tracers	Applications that require automatic joint match control only with the contactless sonic sensor
Trimble PCS400 Paving Control System with Single/Dual CB440 Control Box and Dual Sonic Tracers + Cross Slope	Applications that require automatic joint match and cross slope control
Trimble PCS400 Paving Control System with Single/Dual CB440 Control Box and Dual Sonic Averaging Beam + Cross Slope	Joint matching and cross slope control applications where the highest smoothness result is required. For example for highways and airport runways. Most flexible solution that allows any combination of averaging beam, single sonic and slope control.
Trimble PCS400 Paving Control System with Single/Dual CB440 Control Box and Single Sonic + Sonic Averaging Beam + Cross Slope	Joint matching and cross slope control applications where the sonic averaging beam is required on only one side of the paver. Flexible solution that allows any combination of averaging beam, single sonic and slope control.

** The paver can be controlled easily by one person with a single CB440 Control Box or by two people with dual CB440 Control Boxes*

Trimble Paving Control Systems

PCS400 2D for Pavers



System Spec Sheet



CB440
Single - or - Dual



AS200



VM200



ST200

- And -
- or -



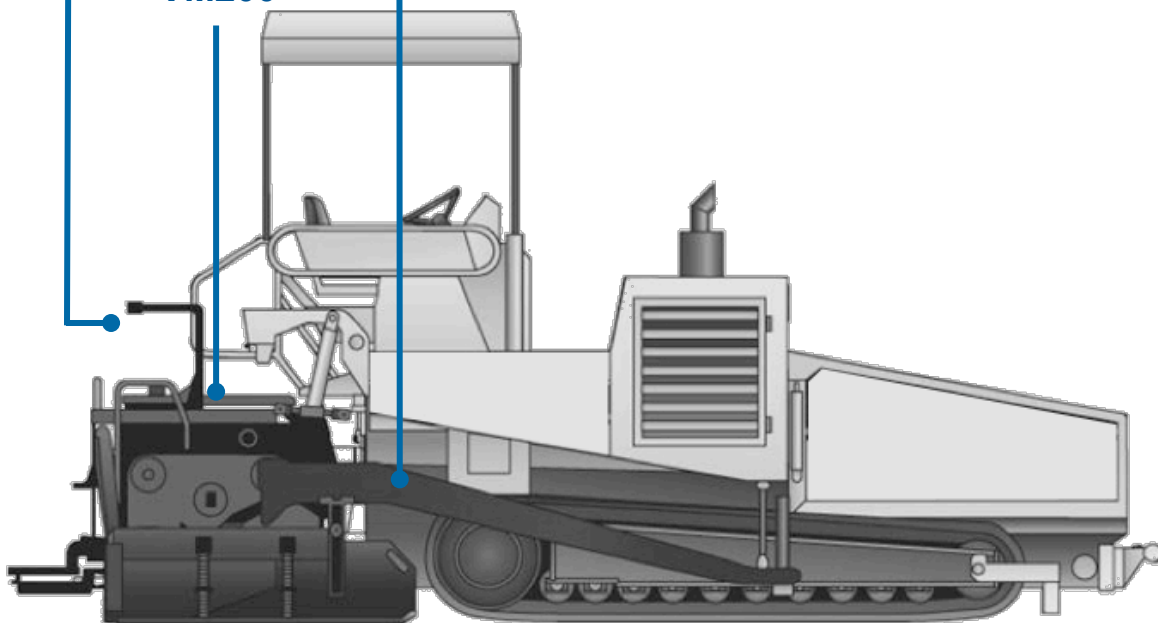
CS200

- And -
- or -



Sonic Averaging Beam*

(1 or 2 of each / mounted on either side)



* Sonic averaging beam may vary in design between regions

© 2010-2012, Trimble Navigation Limited. All rights reserved. Trimble and the Globe & Triangle logo are trademarks of Trimble Navigation Limited, registered in the United States Patent and Trademark Office and in other countries. All other trademarks are the property of their respective owners. PN 022482-2086C (01/12)

Trimble Paving Control Systems

PCS900 3D for Pavers



System Spec Sheet

PCS900 3D Paving Control System – Key Advantages

- Avoid the cost and hassle of stringlines
- Minimizes the use of expensive asphalt material by controlling the grade mm precise
- Eliminates road waves for a smoother surface
- Best 3D control solution for real millimeter accuracy and reliable tracking
- Uses a true 3D design to create the desired surface and can be used for super elevated curves, complex designs, and eliminating string lines
- 3D system can utilize a mix of 2D and 3D technology: i.e.- 3D for right side and use a sonic sensor to pass match on left side

Trimble PCS900 3D Paving Control System for Pavers

3D Configurations	Application
Trimble PCS900 Paving Control System with Single/Dual CB440 + CB460 and Single Sonic + Slope + MT900 Machine Target	Applications without stringlines or accurate reference surfaces. Road, airport and commercial surface applications with stringent elevation, cross slope and smoothness specs. Surfaces with frequent cross slope changes like highway exits, road curves, parking lots and sports surfaces. Flexible 3D paving choice for applications in which you need to run in full 3D and in joint match mode.
Trimble PCS900 Paving Control System with Single/Dual CB440 + CB460 and Sonic Averaging Beam + Slope + MT900 Machine Target	Most flexible 3D paving choice for applications in which you need to run in full 3D and in single sensor and averaging beam joint match mode. The sonic averaging beam smooths out short waves and irregularities in the joint match surface to produce the smoothest mat.
Trimble PCS900 Paving Control System with Single/Dual CB440 + CB460 and MT900 Machine Target + Cross Slope	Most economic 3D paving choice for those applications where no joint matching is required and all surfaces are laid in full 3D. As one side of the screed is controlled with slope only, the screed width should be limited to 6m to obtain an accurate slope side elevation in most applications.

Trimble Paving Control Systems

PCS900 3D for Pavers



System Spec Sheet



CB460
- and -



CB440
Single - or - Dual



MT900
and



SNR



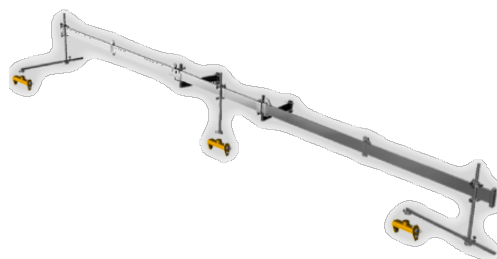
AS200



AS450



VM200



Sonic Averaging Beam*

or

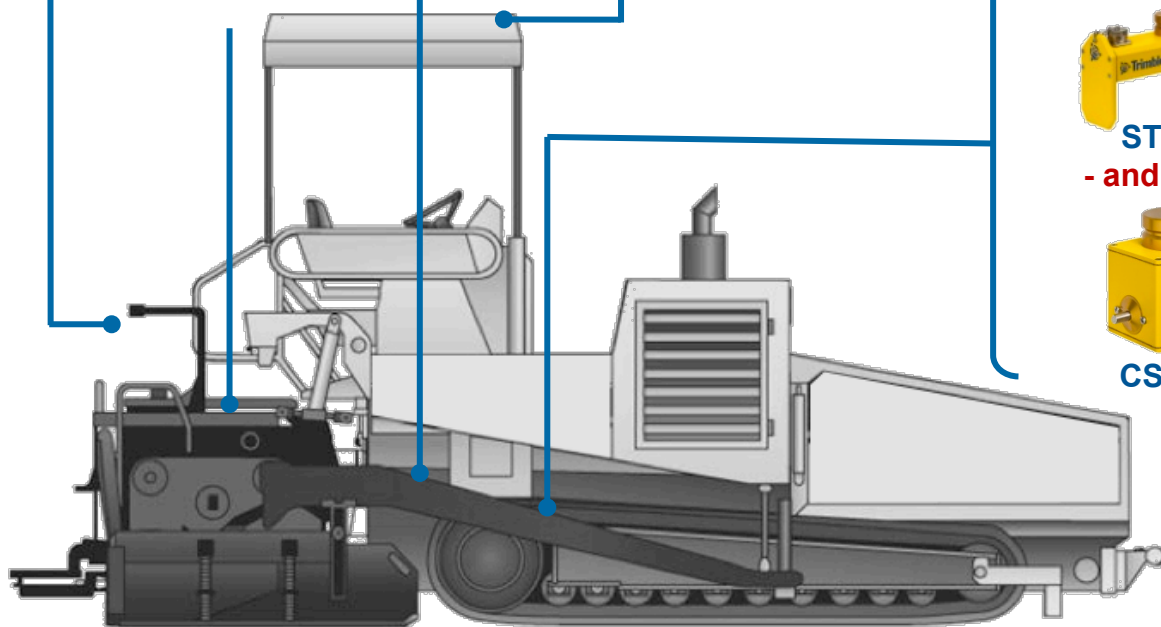
(1 or 2 of each
mounted on
either side)



ST200
- and / or -



CS200



* Sonic averaging beam may vary in design between regions

Trimble Paving Control Systems

PCS000 3D for Pavers
Off Machine Infrastructure



For PCS900
with the MT900



Universal Total Station